

| Specifications | Absolute RCN 2581 RCN 2381 | RCN 2591 F RCN 2391 F | RCN 2591 M RCN 2391 M |
|--|--|--|---------------------------------|
| Measuring standard | DIADUR circular scale with absolute track and incremental track (16 384 lines) | | |
| System accuracy | RCN 25x1: ±2" RCN 23x1: ±4" | | |
| Position error per signal period | RCN 2581: ≤ ±0.4" RCN 2381: ≤ ±0.4" | RCN 25x1: ≤ ±0.3" RCN 23x1: ≤ ±0.4" | |
| Interface | EnDat 2.2 | Fanuc Serial Interface αi interface ⁴⁾ | Mitsubishi high speed interface |
| Ordering designation | EnDat02 | Fanuc05 | Mit03-4 |
| Position values per rev. ⁴⁾ | RCN 25x1: 268 435 456 (28 bits) RCN 23x1: 67 108 864 (26 bits) | | |
| Electrically permissible speed | ≤ 1500 rpm for continuous position values | ≤ 3000 rpm for continuous position values | |
| Clock frequency Calculation time t_{cal} | ≤ 2 MHz ≤ 8 μs | - | |
| Incremental signals Cutoff frequency -3 dB | ~ 1 V _{PP} ≥ 400 kHz | - | |
| Electrical connection | Separate adapter cable connectable to encoder via quick connector | | |
| Cable length ¹⁾ | ≤ 150 m | ≤ 50 m | ≤ 30 m |
| Supply voltage | DC 3.6 V to 14 V | | |
| Power consumption ²⁾ (maximum) | 3.6 V: ≤ 1.1 W 14 V: ≤ 1.3 W | | |
| Current consumption (typical) | 5 V: ≤ 140 mA (without load) | | |
| Shaft | Hollow through shaft Ø 20 mm | | |
| Mech. permitt. shaft speed (at constant speed for up to 90 min) | RCN 2x91: ≤ 3000 rpm (at an operating temperature of 40 °C; for details, see <i>High permissible shaft speeds</i> on page 5) RCN 2x81: ≤ 1500 rpm | | |
| Starting torque (at 20 °C) | Typically ≤ 0.08 Nm | | |
| Moment of inertia | Rotor (hollow shaft): $180 \cdot 10^{-6} \text{ kgm}^2$ Stator (housing/flange): $670 \cdot 10^{-6} \text{ kgm}^2$ | | |
| Permissible axial motion of measured shaft | Axial: ±0.3 mm ³⁾ Radial: Ø 0.2 mm for coaxiality and, during operation, 0.04 mm for radial runout (each relative to the bearing axis of the mating shaft) | | |
| Natural frequency | ≥ 1000 Hz | | |
| Vibration 55 Hz to 2000 Hz Shock 6 ms | ≤ 200 m/s ² (EN 60068-2-6) ≤ 200 m/s ² (EN 60068-2-27) | | |
| Operating temperature | 0 °C to 60 °C | | |
| Protection EN 60529 | IP64 | | |
| Mass | ≈ 1.1 kg | | |

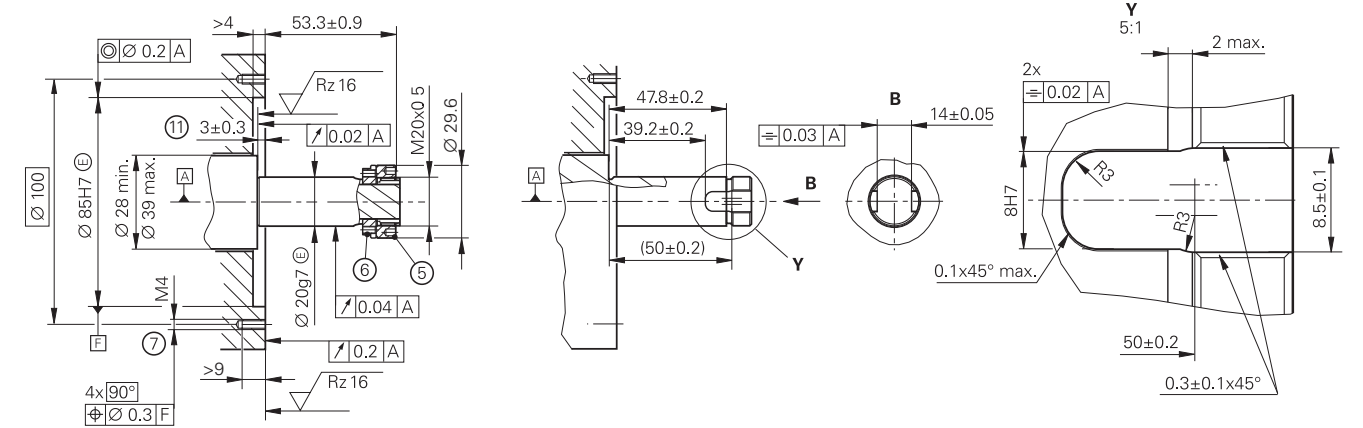
¹⁾ With HEIDENHAIN cable ≤ 8 MHz

²⁾ See *General electrical information* in the *Interfaces of HEIDENHAIN Encoders* brochure

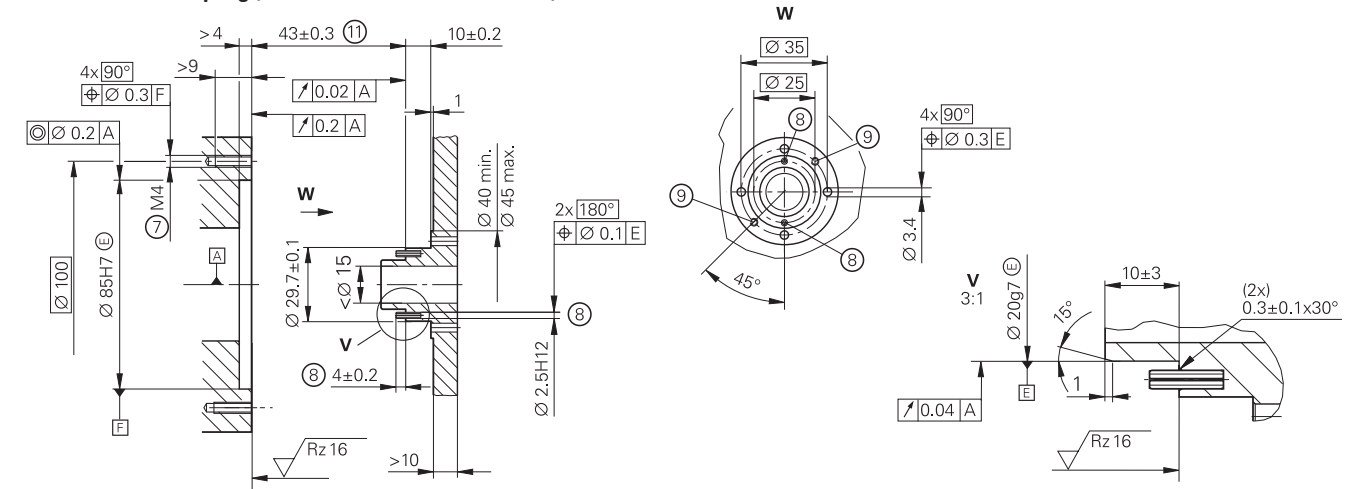
³⁾ Range includes mounting tolerances and thermal expansion; no dynamic movement permitted

⁴⁾ Reduced resolution during operation with the Fanuc α Interface; RCN 2591 F: 134 217 728 (27 bits)
RCN 2391 F: 83 888 608 (23 bits)

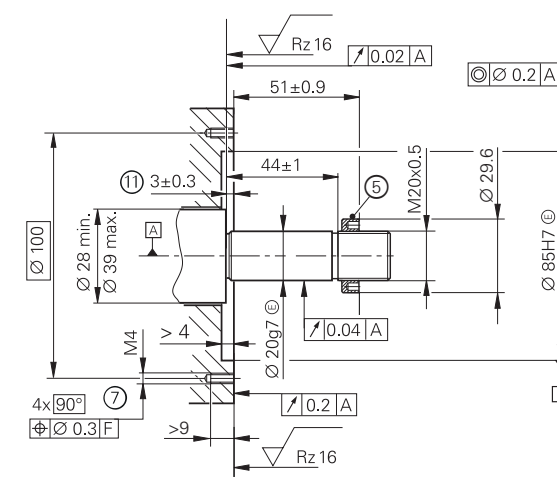
Shaft coupling with ring nut and catch (with mechanical fault exclusion) ©



Front-face shaft coupling (with mechanical fault exclusion) ©



Shaft coupling with ring nut (without mechanical fault exclusion) ©



Front-face shaft coupling (without mechanical fault exclusion) ©

