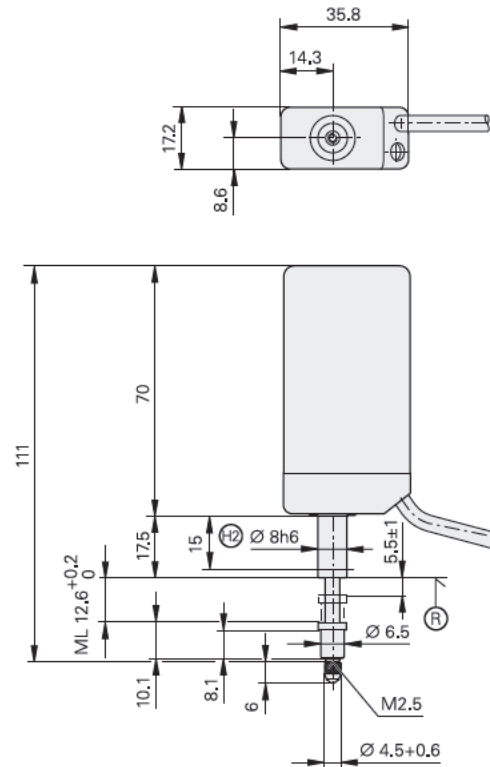


# HEIDENHAIN-METRO

## MT 12, MT 25 series

- Sturdy design
- Plunger actuation by cable lifter, by the workpiece or pneumatically

MT 12  
MT 12B  
MT 12P

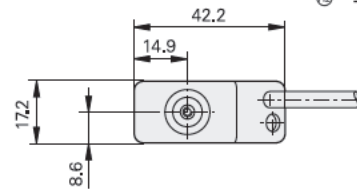


MT 12P

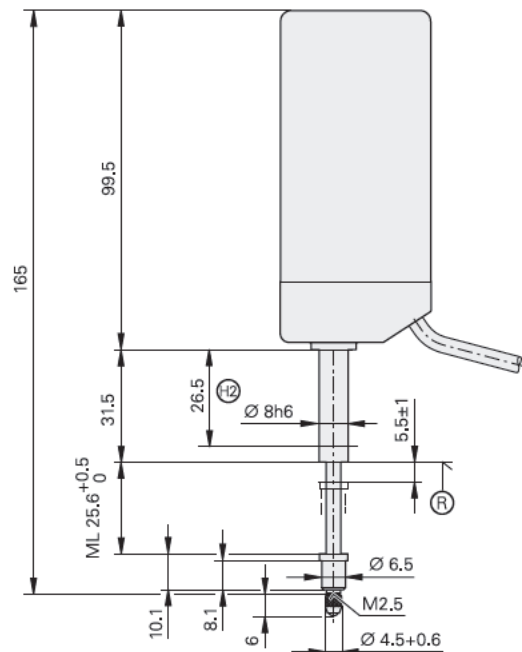


mm  
Tolerancing ISO 8015  
ISO 2768 - m H  
< 6 mm: ±0.2 mm

ML = Measuring length  
⊕ = Reference mark position  
⊕ = Air connection for 2 mm tube  
⊕ = Clamping area



MT 25  
MT 25B  
MT 25P



MT 25P



Specifications	MT 12 MT 25	MT 12B MT 25B	MT 12P MT 25P
<b>Plunger actuation</b>	By cable or measured object		Pneumatic
Position of plunger at rest	Extended		Retracted
Plunger guideway	Sliding guide	Ball-bush guide	Sliding guide
<b>Measuring standard</b>	DIADUR grating on glass; grating period 10 µm		
<b>System accuracy</b>	± 0.5 µm		
<b>Reference mark</b>	Approx. 5 mm below upper stop		
<b>Measuring range</b>	MT 12 MT 25	12 mm 25 mm	
<b>Gauging force*</b>			
Vertically downward	From the integral spring 0.6 N to 0.85 N	From the integral spring 0.6 N to 0.85 N	From application of compressed air 0.2 N to 1.1 N
Vertically upward	0.28 N to 0.6 N	0.28 N to 0.6 N	0.2 N to 0.9 N
Horizontal	0.48 N to 0.73 N	0.48 N to 0.73 N	0.2 N to 1.0 N
		Inherent weight of the plunger in version without spring: MT 12B: 0.12 N downward MT 25B: 0.16 N downward	
Radial force <sup>1)</sup>	≤ 0.2 N	≤ 0.8 N	≤ 0.2 N
<b>Operating attitude</b>	Any	Any Version without spring: vertically downward	Any
<b>Vibration</b> 55 to 2000 Hz <b>Shock</b> 11 ms	≤ 100 m/s <sup>2</sup> (EN 60068-2-6) ≤ 1000 m/s <sup>2</sup> (EN 60068-2-27)		
<b>Protection</b> EN 60529	IP 50		IP 60
<b>Operating temperature</b> <b>Storage temperature</b>	10 °C to 50 °C; reference temperature 20 °C -30 °C to 70 °C		
<b>Fastening</b>	Clamping shank Ø 8h6		
<b>Weight</b> without cable	MT 12 MT 25	120 g 200 g	250 g 300 g
<b>Interface</b>	~ 11 µApp		
<b>Measuring velocity</b>	≤ 60 m/min (plunger coupled; depending on the subsequent electronics)		
<b>Electrical connection</b>	Cable 1.5 m with M23 connector (male) 9 pin		
Cable length	≤ 30 m with HEIDENHAIN cable		
Voltage supply	5V DC ± 0.25V / < 70 mA		

\* Please select when ordering  
<sup>1)</sup> Mechanically permissible