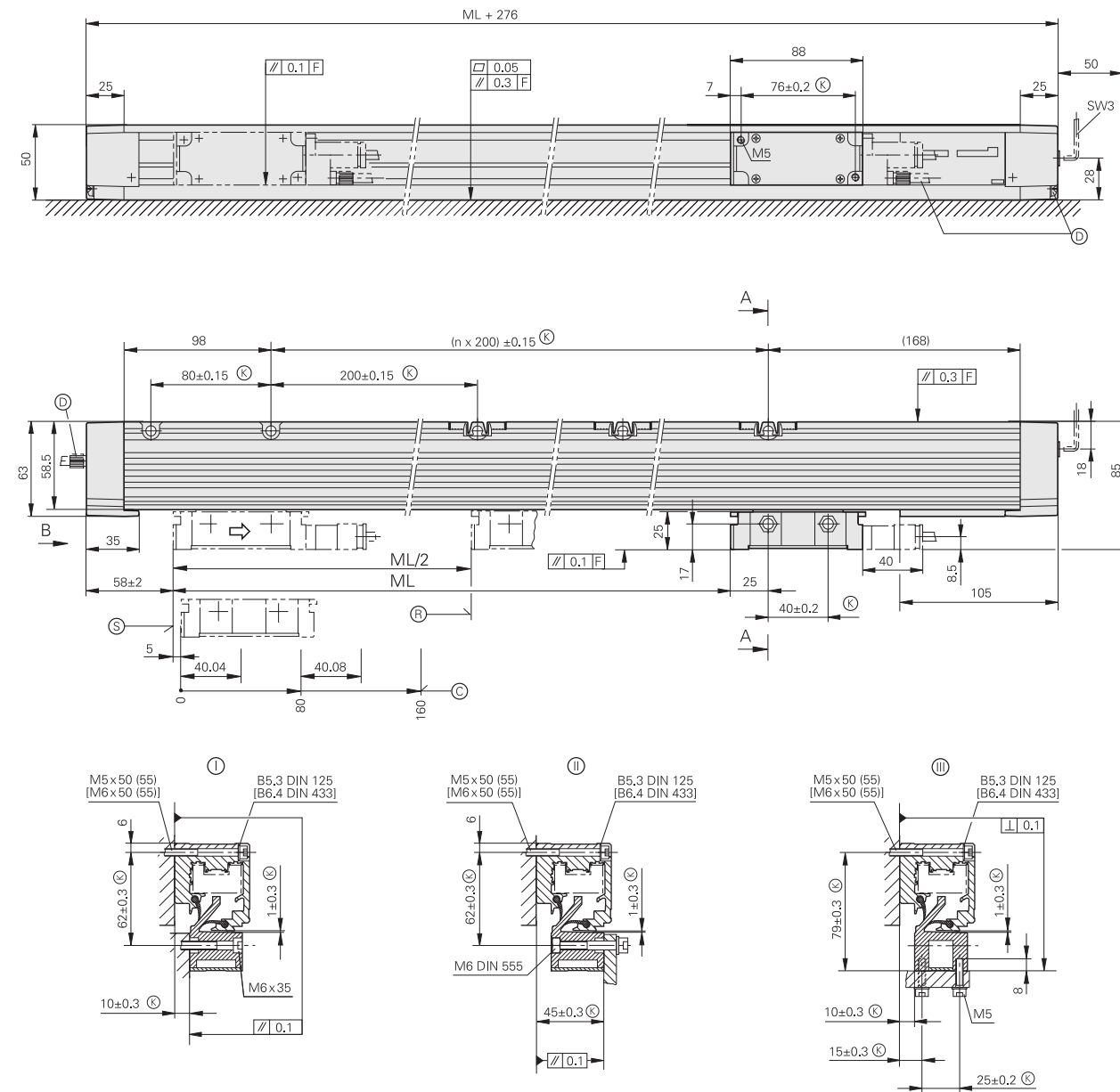


LB 382 up to 3040 mm measuring length (single-section housing)

Incremental linear encoders with full-size scale housing

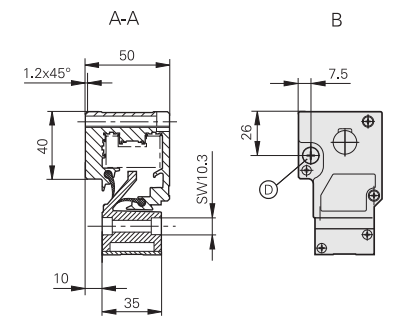
- Reclining mounting possible
- Also available in mirrored version



mm

 Tolerancing ISO 8015
 ISO 2768 - m H
 < 6 mm: ±0.2 mm

- Ⓛ, Ⓧ = Mounting options
- Ⓜ = Machine guideway
- Ⓝ = Required mating dimensions
- Ⓞ = Compressed air inlet
- Ⓟ = Reference-mark position on LB 3x2
- Ⓠ = Reference-mark position on LB 3x2C
- Ⓡ = Beginning of measuring length (ML)
- ↔ = Direction of scanning unit motion for output signals in accordance with interface description



Specifications	LB 382 up to ML 3040 mm
Measuring standard Coefficient of linear expansion	Rustproof steel scale tape with AURODUR graduation, grating period 40 μm $\alpha_{\text{therm}} \approx 10 \times 10^{-6} \text{ K}^{-1}$
Accuracy grade	± 5 μm
Measuring length ML* in mm	Single-section housing 440 640 840 1040 1240 1440 1640 1840 2040 2240 2440 2640 2840 3040
Reference marks* LB 382 LB 382C	Selectable by selector plate every 50 mm, standard setting: 1 reference mark in the center Distance-coded
Incremental signals	~1 V _{pp}
Signal period	40 μm
Cutoff frequency -3 dB	≥ 250 kHz
Electrical connection	Separate adapter cable (1 m/3 m/6 m/9 m) connectable to mounting block
Cable length ¹⁾	≤ 150 m
Power supply without load	5 V DC ± 5 % / < 150 mA
Traversing speed	≤ 120 m/min
Required moving force	≤ 15 N
Vibration 55 Hz to 2000 Hz Shock 11 ms Acceleration	≤ 300 m/s ² (EN 60068-2-6) ≤ 300 m/s ² (EN 60068-2-27) ≤ 60 m/s ² in measuring direction
Operating temperature	0 °C to 50 °C
Protection EN 60529	IP 53 when mounted according to the instructions and mounting information IP 64 if compressed air is connected via DA 400
Weight	1.3 kg + 3.6 kg/m measuring length

* Please indicate when ordering
¹⁾ With HEIDENHAIN cable