

Accessories for HEIDENHAIN-CERTO

Gauge stand

CS 200 gauge stand

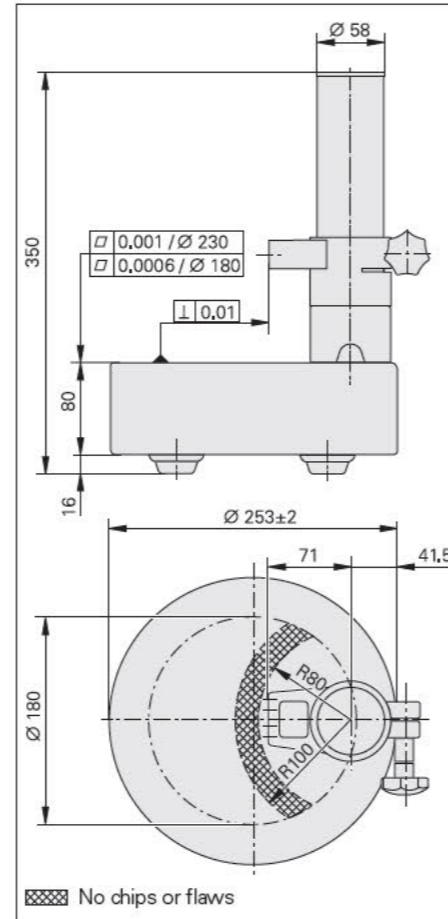
For length gauges CT 2501*
CT 6001

ID 221310-01

Overall height 350 mm
Measuring table \varnothing 250 mm
Column \varnothing 58 mm
Mass 15 kg

* With special holder

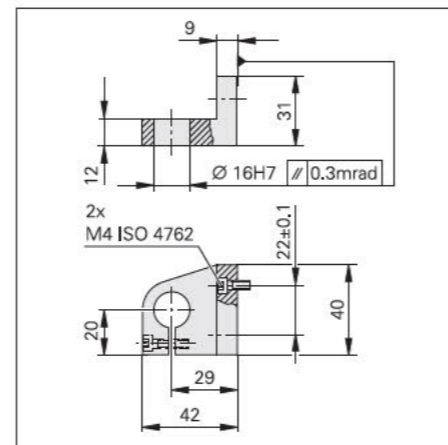
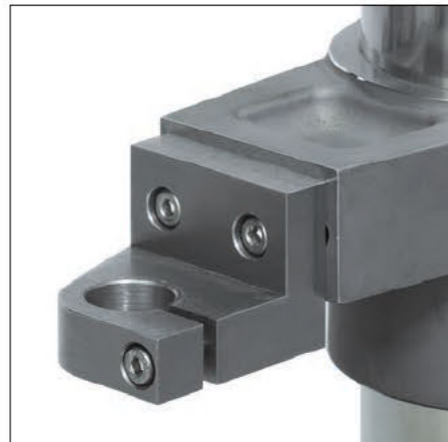
The flatness of the CS 200 is determined with the aid of a Fizeau interferometer.



Holder for CS 200

For the CT 2501 with \varnothing 16 mm clamping shank

ID 324391-01



mm
Tolerancing ISO 8015
ISO 2768 - m H
≤ 6 mm: ±0.2 mm

Ceramic suction plate, diaphragm pump

Ceramic suction plate

Wear-resistant working surface with high surface quality specifically for inspecting gauge blocks

ID 223100-01

The gauge block (class 1 or 2)—or any other object with a plane surface—is drawn by suction onto the top of the ceramic plate. The ceramic plate is likewise drawn to the granite base and held in place through negative pressure.

Parts for connecting the ceramic suction plate with the diaphragm pump are among the items supplied:

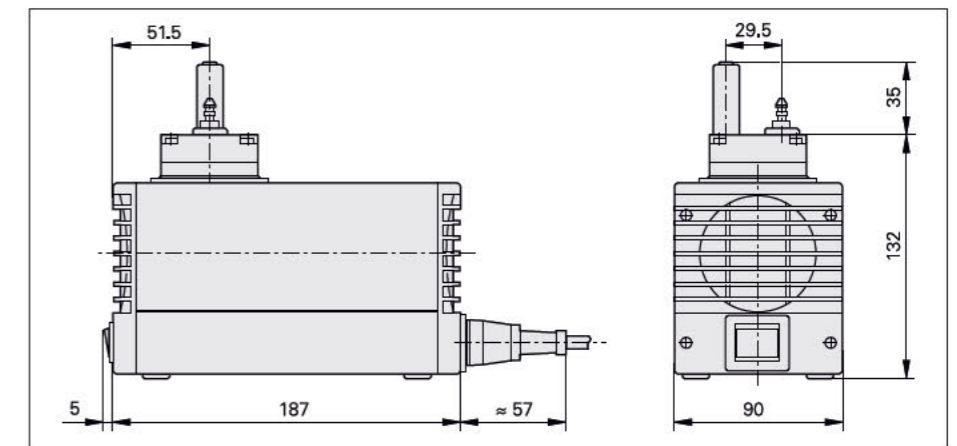
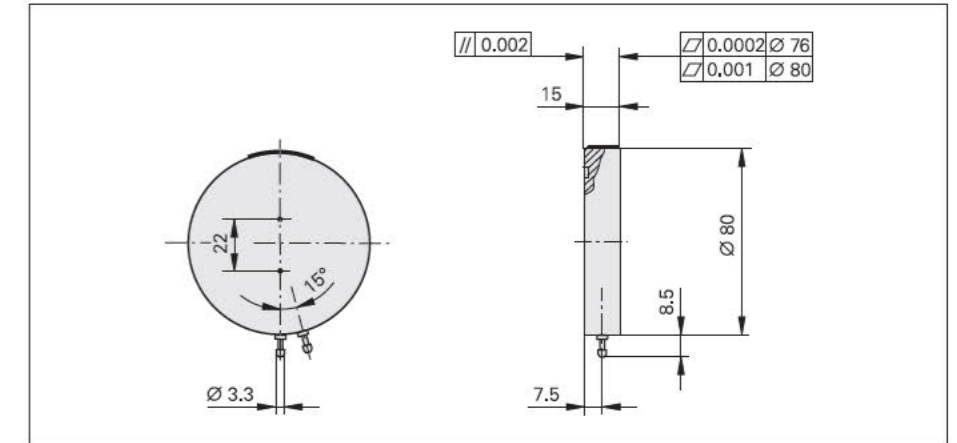
Pressure tubing: 3 m
Tjoint
Connecting piece

Diaphragm pump

Source of suction for drawing the measured object and ceramic suction plate

Power consumption 20 W
Mass 2.3 kg
Line voltage AC 230 V / 50 Hz
ID 754220-01

Line voltage AC 115 V / 60 Hz
ID 754220-02



mm
Tolerancing ISO 8015
ISO 2768 - m H
≤ 6 mm: ±0.2 mm