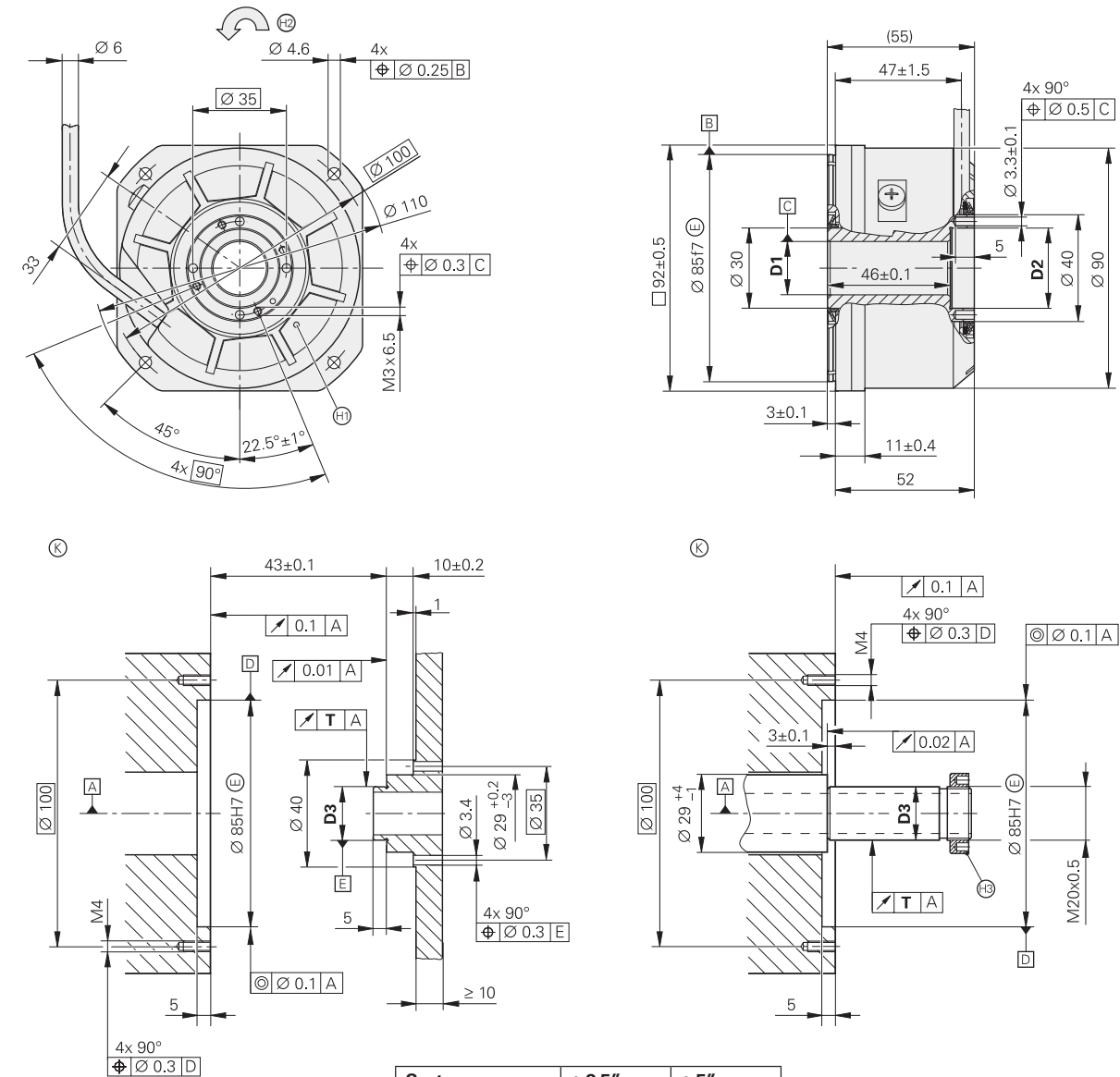


	Incremental RON 225	RON 275	RON 275	RON 285	RON 287
<b>Measuring standard</b>	DIADUR circular scale with incremental track				
Line count	9000	18000			
<b>System accuracy</b>	± 5"				± 2.5"
Position error per signal period	≤ ± 1.4"	≤ ± 0.7"			
<b>Interface</b>	□ TTL			~ 1 V <sub>pp</sub>	
Integrated interpolation* Output signals/rev	2-fold 18000	5-fold 90000	10-fold 180000	-	
Reference mark*	One			RON 2xx: One RON 2xxC: Distance-coded	
Cutoff frequency -3 dB Output frequency Edge separation a	- ≤ 1 MHz ≥ 0.125 μs	- ≤ 250 kHz ≥ 0.96 μs	- ≤ 1 MHz ≥ 0.22 μs	≥ 180 kHz - -	
Elec. permissible speed	-	≤ 166 min <sup>-1</sup>	≤ 333 min <sup>-1</sup>	-	
<b>Electrical connection*</b>	Cable 1 m, with or without M23 coupling (male, 12-pin)				
Cable length <sup>1)</sup>	≤ 50 m			≤ 150 m	
Voltage supply	5 V DC ± 0.5 V/≤ 150 mA (without load)				
<b>Shaft</b>	Hollow through shaft D= 20 mm				
Mech. permissible speed	≤ 3000 min <sup>-1</sup>				
Starting torque	≤ 0.08 Nm at 20 °C				
Moment of inertia of rotor	73.0 · 10 <sup>-6</sup> kgm <sup>2</sup>				
Permissible axial motion of measured shaft	± 0.1 mm				
<b>Natural frequency</b>	≥ 1200 Hz				
<b>Vibration</b> 55 to 2000 Hz <b>Shock</b> 6 ms	≤ 100 m/s <sup>2</sup> (EN 60068-2-6) ≤ 200 m/s <sup>2</sup> (EN 60068-2-27)				
<b>Operating temperature</b>	Moving cable: -10 °C to 70 °C Stationary cable: -20 °C to 70 °C			0 °C to +50 °C	
<b>Protection</b> EN 60 529	IP 64				
<b>Weight</b>	≈ 0.8 kg				

\* Please select when ordering  
<sup>1)</sup> With HEIDENHAIN cable

## RON 200 series

- Integrated stator coupling
- Hollow through shaft Ø 20 mm
- System accuracy ± 2.5" and ± 5"



System accuracy	± 2.5"	± 5"
D1	Ø 20H6 ⊕	Ø 20H7 ⊕
D2	Ø 30H6 ⊕	Ø 30H7 ⊕
D3	Ø 20g6 ⊕	Ø 20g7 ⊕
T	0.01	0.02

mm  
 Tolerancing ISO 8015  
 ISO 2768 - m H  
 < 6 mm: ±0.2 mm

Cable radial, also usable axially  
 ⊕ = Bearing of mating shaft  
 ⊕ = Required mating dimensions  
 ⊕ = Position of the reference mark signal ± 5°  
 ⊕ = Direction of shaft rotation for output signals as per the interface description  
 ⊕ = Accessory: Ring nut ID 336669-03