

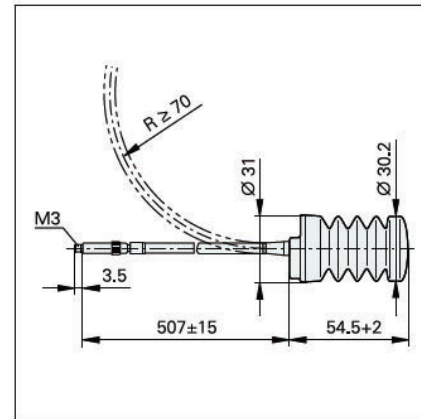
Accessories for ACANTO, HEIDENHAIN-METRO and HEIDENHAIN-SPECTO Cable-Type Lifter, Gauge Stands

Cable lifter

For manual plunger actuation of MT 1200 and MT 2500.

The integral pneumatic damping reduces the plunger extension speed to prevent rebounding, for example on very hard materials.

ID 257790-01



MS 200 gauge stand

For length gauges AT¹⁾, ST¹⁾, MT 1200¹⁾, MT 2500¹⁾, MT 60M, MT 101M

ID 244154-01

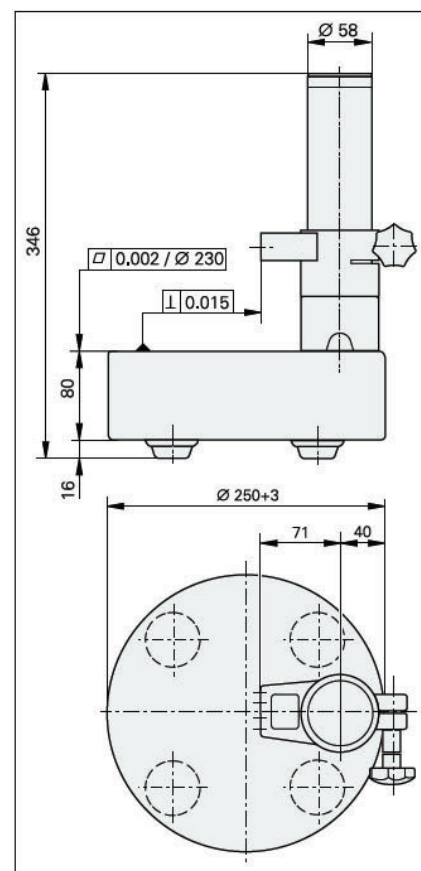
Overall height 346 mm
Base Ø 250 mm
Column Ø 58 mm
Weight 18 kg

¹⁾ With special holder

Holder for MS 200

For mounting the length gauges with Ø 8 mm clamping shank, e.g. AT, ST, MT 1200, MT 2500

ID 324391-02



Clamping sleeve

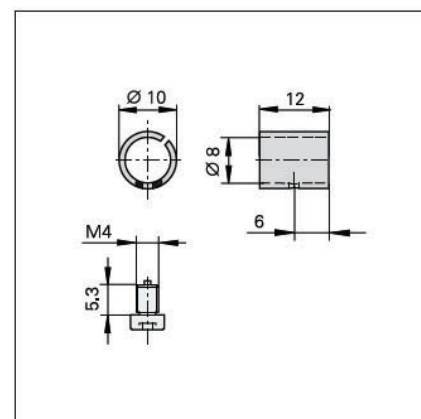
For length gauges AT, ST, MT 1200, MT 2500

For fixing the length gauge reliably without overloading the 8h6 clamping shank.

Consisting of:

Sleeve, clamping screw
ID 386811-01 (1 unit per package)
ID 386811-02 (10 units per package)

mm
Tolerancing ISO 8015
ISO 2768 - m H
< 6 mm: ±0.2 mm

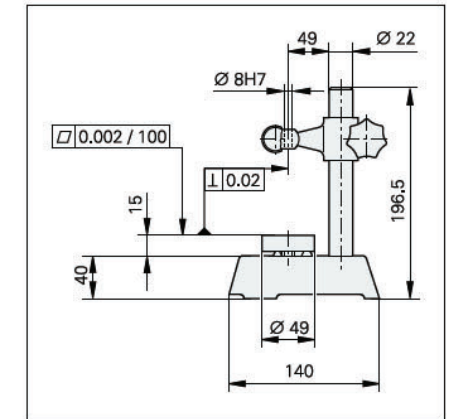


MS 45 gauge stand

For length gauges AT, ST, MT 1200, MT 2500

ID 202162-02

Overall height 196.5 mm
Base Ø 49 mm
Column Ø 22 mm
Weight 2.2 kg



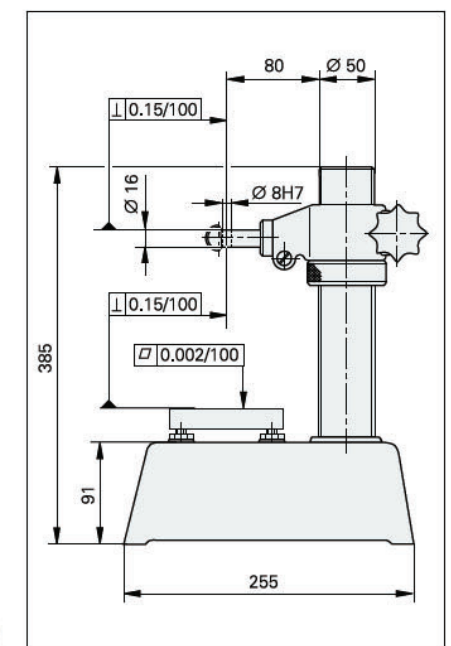
MS 100 gauge stand

For length gauges AT, ST, MT 1200, MT 2500, MT 60M¹⁾, MT 101M¹⁾

ID 202164-02

Overall height 385 mm
Measuring plate 100 mm x 115 mm
Column Ø 50 mm
Weight 18 kg

¹⁾ With special holder



Holder for MS 100

For mounting the MT 60M
ID 207479-01

For mounting the MT 101M
ID 206260-01

mm
Tolerancing ISO 8015
ISO 2768 - m H
< 6 mm: ±0.2 mm

