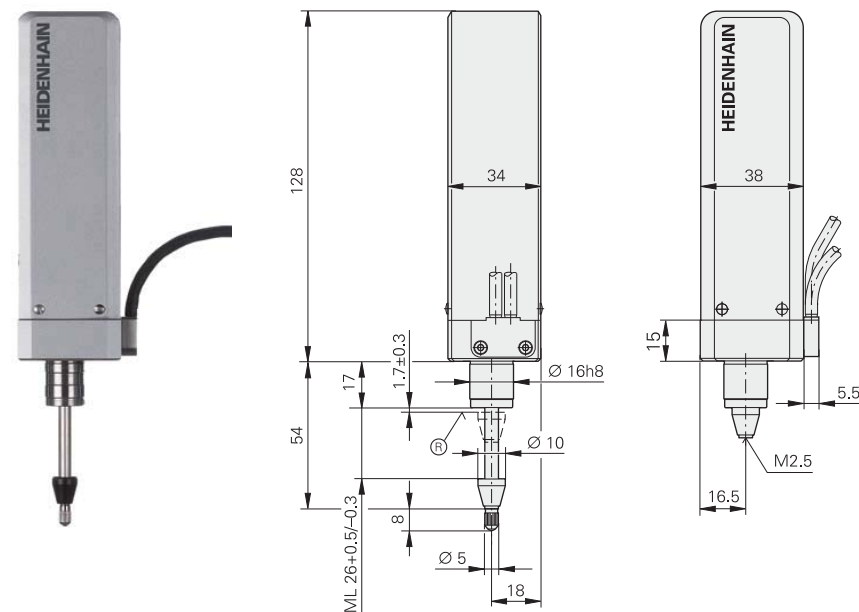


HEIDENHAIN-CERTO

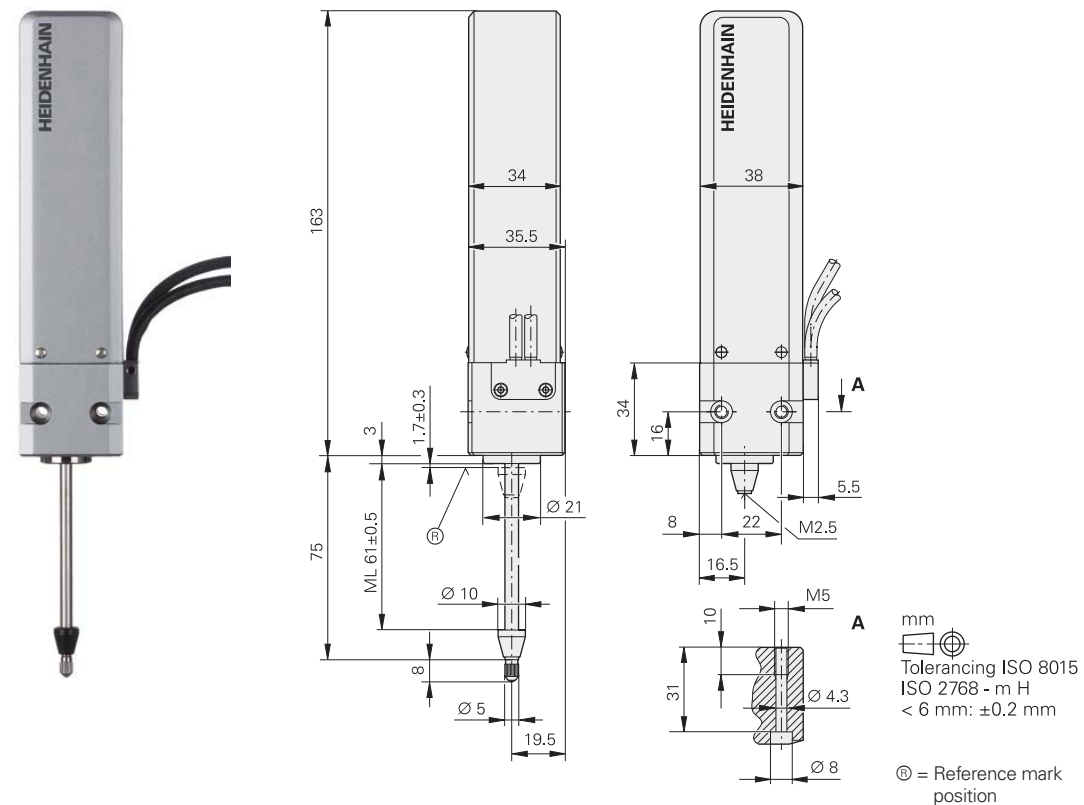
Incremental length gauges with $\pm 0.1 \mu\text{m}/\pm 0.05^1) \mu\text{m}^*/\pm 0.03 \mu\text{m}^1)$ accuracy

- For very high accuracy
- For inspection of measuring equipment and gauge blocks
- Ball-bush guided plunger

CT 2500



CT 6000



Specifications	CT 2501	CT 6001	CT 2502	CT 6002
Plunger actuation	By motor		Via coupling with moving machine part	
Measuring standard	DIADUR phase grating on Zerodur glass ceramic; grating period 4 μm			
System accuracy At 19 °C to 21 °C	$\pm 0.1 \mu\text{m}$, $\pm 0.03 \mu\text{m}^1)$	$\pm 0.1 \mu\text{m}$, $\pm 0.05 \mu\text{m}^1)$	$\pm 0.1 \mu\text{m}$, $\pm 0.03 \mu\text{m}^1)$	$\pm 0.1 \mu\text{m}$, $\pm 0.05 \mu\text{m}^1)$
Position error per signal period	$\leq \pm 0.02 \mu\text{m}$			
Reference mark	One, approx. 1.7 mm below upper stop			
Measuring range	25 mm	60 mm	25 mm	60 mm
Gauging force Vertically downward Vertically upward Horizontal	By motor 1 N/1.25 N/1.75 N - / - / 0.75 N		Moving force ²⁾ 0.6 N 0.1 N 0.6 N	
Radial force	$\leq 0.5 \text{ N}$ (mechanically permissible)			
Fastening	Clamping shank $\varnothing 16\text{h}8$	Plane surface	Clamping shank $\varnothing 16\text{h}8$	Plane surface
Operating attitude	Any required (for preferred operating attitude see <i>Mounting</i>)			
Vibration 55 to 2000 Hz Shock 11 ms	$\leq 100 \text{ m/s}^2$ (EN 60068-2-6) $\leq 1000 \text{ m/s}^2$ (EN 60068-2-27)			
Operating temperature	10 °C to 40 °C; reference temperature 20 °C			
Protection EN 60529	IP 50			
Weight without cable	520 g	700 g	480 g	640 g

Electrical Data	CT 2501	CT 6001	CT 2502	CT 6002
Interface	$\sim 11 \mu\text{A}_{\text{PP}}$			
Signal period	2 μm			
Measuring velocity	$\leq 24 \text{ m/min}$ (depending on the subsequent electronics) $\leq 12 \text{ m/min}$ with the ND 28x display unit			
Electrical connection*	<ul style="list-style-type: none"> • Cable 1.5 m with D-sub connector (male) 15-pin • Cable 1.5 m with M23 connector (male), 9 pin Interface electronics are integrated in connector.			
Cable length	$\leq 30 \text{ m}$			
Power supply	5 V DC $\pm 0.25 \text{ V}$ / < 180 mA		5 V DC $\pm 0.25 \text{ V}$ / < 120 mA	

Required accessories*	For CT 2501	For CT 6001
Switch box	SG 25M	SG 60M

* Please select when ordering
¹⁾ After linear length-error compensation in the evaluation electronics
²⁾ Force required to move the plunger or force of its weight