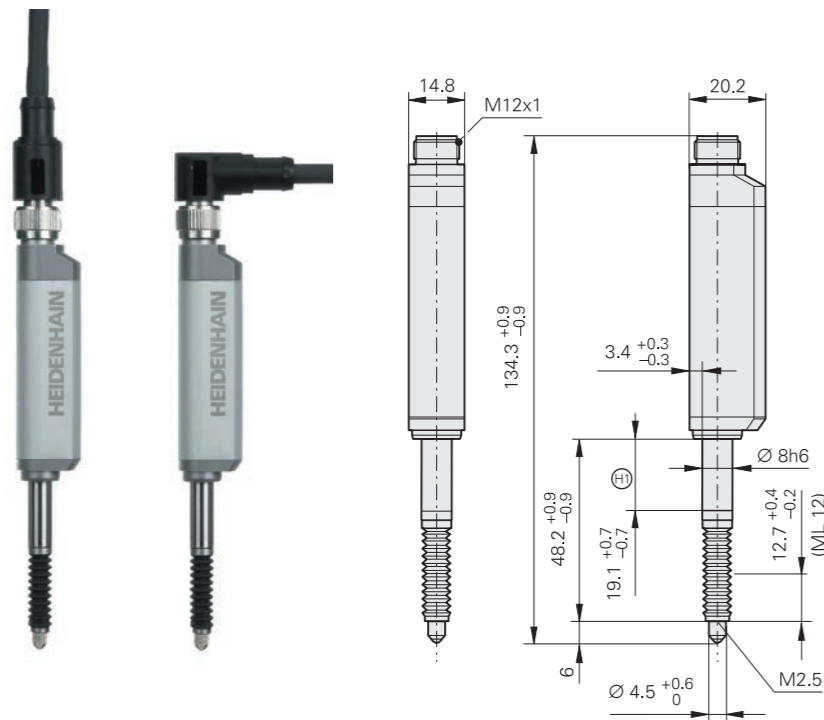


HEIDENHAIN-ACANTO

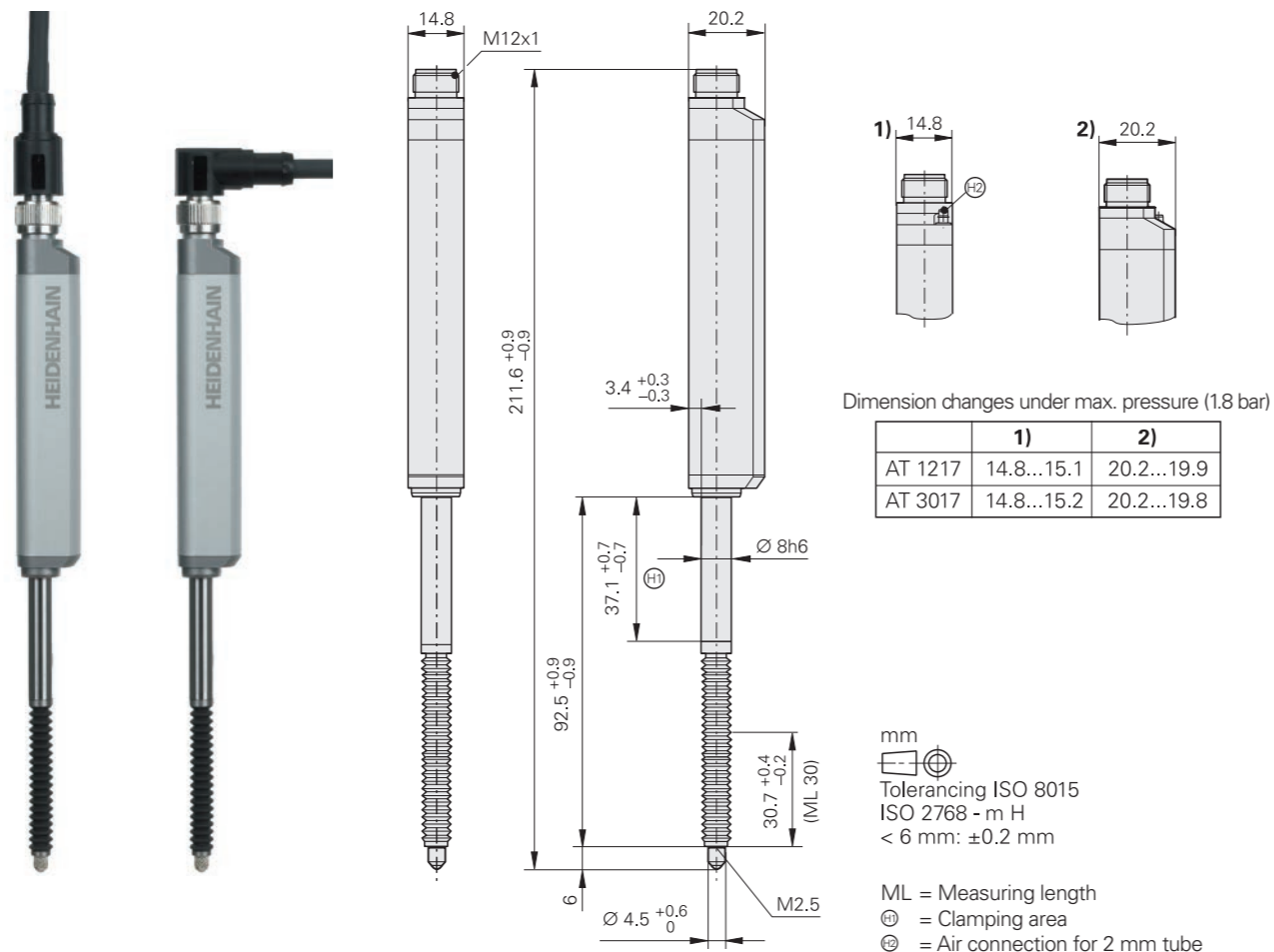
Absolute length gauges with EnDat interface

- Online diagnostics
- Protection rating of up to IP67
- Serial data transmission with CRC

AT 1200



AT 3000



Mechanical data	AT 1218	AT 3018	AT 1217	AT 3017
Plunger actuation Position of plunger at rest	Via measured object Extended		Pneumatic Retracted	
Measuring standard	DIADUR grating on glass; grating period: 188.4 µm			
System accuracy	±1 µm	±2 µm	±1 µm	±2 µm
Position error per signal period	≤ ±0.7 µm			
Measuring range	12 mm	30 mm	12 mm	30 mm
Working pressure	-		0.7 bar to 1.8 bar	1.1 bar to 1.8 bar
Mech. permissible traversing speed	≤ 80 m/min	≤ 120 m/min	≤ 80 m/min	≤ 120 m/min
Radial force	≤ 0.5 N (mechanically permissible)			
Fastening	Clamping shank Ø 8h6			
Operating orientation	Any			
Vibration 55 Hz to 2000 Hz Shock 11 ms	≤ 100 m/s ² (EN 60068-2-6) ≤ 500 m/s ² (EN 60068-2-27)			
Operating temperature	10 °C to 40 °C; reference temperature: 20 °C			
Protection EN 60529	IP67		IP64 ¹⁾ IP67 upon request	IP64 ¹⁾
Mass without cable	80 g	100 g	80 g	100 g

¹⁾ IP67 with sealing air

Electrical data	EnDat			
Interface	EnDat 2.2			
Ordering designation	EnDat 22			
Measuring step	23 nm	368 nm	23 nm	368 nm
Calculation time t_{cal} Clock frequency	≤ 5 µs ≤ 8 MHz			
Electrical connection	8-pin M12 flange socket (male)			
Cable length	≤ 100 m with HEIDENHAIN cable			
Supply voltage	DC 3.6 V to 14 V			
Power consumption (max.)	3.6 V: ≤ 550 mW 14 V: ≤ 650 mW			
Current consumption (typical)	5 V: 80 mA (without load)			